



We strive to ensure that our products are of the highest quality and free of manufacturing defects or missing parts. However, if you have any problems with your new product,

DO NOT RETURN IT TO THE STORE,

please contact us toll free @:

1-888-996-2729

FAX: 1-866-873-3531

gamerom@escaladesports.com

Mailing Address: (Correspondence Only)

Escalade Sports
PO Box 889
Evansville, Indiana 47706-0889

Physical Location:

Escalade Sports
817 Maxwell Ave.
Evansville, Indiana 47711

Please visit our Web site at:

www.escaladesports.com

Please have your model number when inquiring about parts.

When contacting Escalade Sports please provide your model number, date code (if applicable) and part number if requesting a replacement part. These numbers are located on the product, packaging, and this owners manual.

Your Model Number AL2010W/F

Date Code 2 - AL2010W - - SY

Purchase Date _____

PLEASE RETAIN THIS INSTRUCTION MANUAL FOR FUTURE REFERENCE

**IMPORTANT! READ EACH STEP
IN THIS MANUAL BEFORE YOU
BEGIN THE ASSEMBLY.**

IMPORTANT!

THE DRAWINGS IN THIS
MANUAL MAY BE
EXAGGERATED OR MODIFIED
TO SHOW DETAILS.



TWO ADULTS ARE REQUIRED TO ASSEMBLE THIS 55" KIRKWOOD FOOSBALL TABLE

Tools Required:

- Socket Head Wrench (Included)
- Phillips Screwdriver
- Furniture Polish and Soft Cloth
- Carpenters Level
- Light Duty Lubricant

An electric screwdriver is helpful in assembly. However, please set at low torque and use extreme caution with an electric screwdriver because you could overtighten the hardware and strip the screws.

Assembly Tips

Make sure you understand the following tips before you begin to assemble your foosball table.

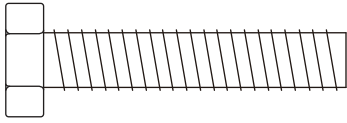
1. Start all bolts by hand before tightening.
2. Some drawings or images in this manual may not look exactly like your product. Please read and understand the text before starting each assembly step.



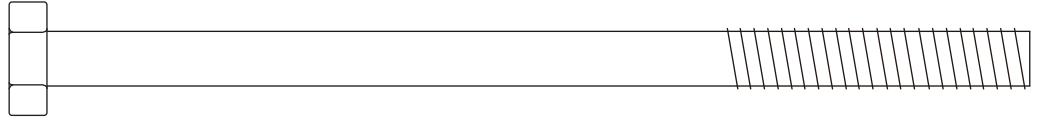
ATTENTION:

**READ AND FOLLOW ALL ASSEMBLY, OPERATION, AND
SAFETY INSTRUCTIONS CAREFULLY. AT LEAST TWO
ADULTS ARE REQUIRED TO ASSEMBLE THIS FOOSBALL TABLE.**

HARDWARE IDENTIFIER (To Scale)



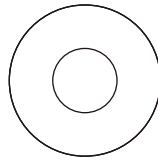
H1 - 8mm x 40mm
Hex Head Bolt
(22 pcs)



H2 - 8mm x 130mm
Hex Head Bolt
(10 pcs)



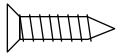
H3 - M8 Lock Washer
(32 pcs)



H4 - M8 Flat Washer
(32 pcs)



H5 - 3.5 mm x 28 mm
Phillips Round Head Screw
(24 pcs)



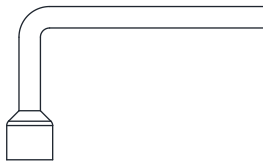
H6 - 3.5mm x 14mm
Phillips Flat Head Screw
(6 pcs)



H7 - 4mm x 25mm
Phillips Round Head Bolt
(26 pcs)



H8 - M4 Nylock nut
(26 pcs)

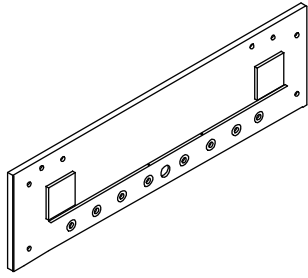


(Not to Scale)

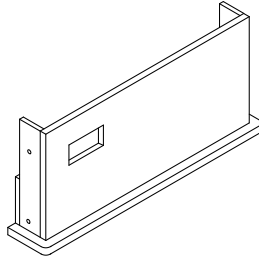
T1 - Socket Head Wrench
(1 pc)

PARTS IDENTIFIER

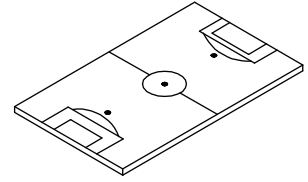
(Not to Scale)



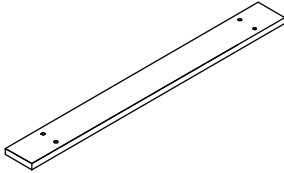
P1 - Side Apron
(2 pcs)



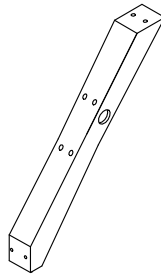
P2 - End Apron
(2 pcs)



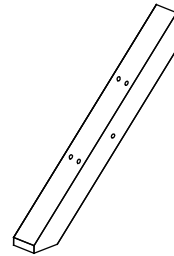
P3 - Playfield
(1 pc)



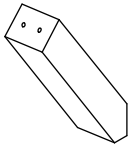
P4 - Leg Base
(2 pcs)



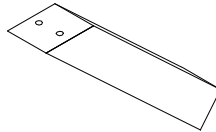
P5 - Left Middle Leg
(1 pc)



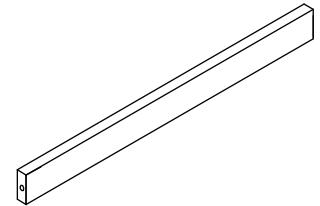
P6 - Right Middle Leg
(1 pc)



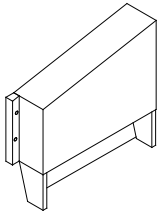
P7 - Upper Leg
(2 pcs)



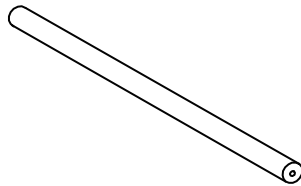
P8 - Bottom Leg
(2 pcs)



P9 - Playfield Support Brace
(3 pcs)



P10 - Goal Box
(2 pcs)



P11 - Metal Support Rod
(1 pc)



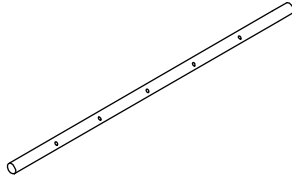
P12 - Blue Player
(13 pcs)

PARTS IDENTIFIER

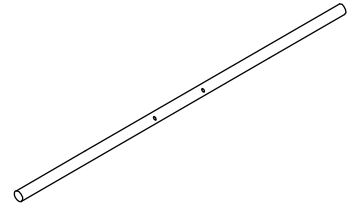
(Not to Scale)



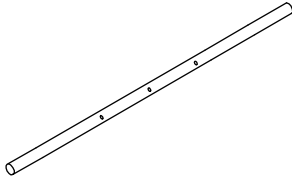
P13 - White Player
(13 pcs)



P14 - 5-Hole Player Rod
(2 pcs)



P15 - 2-Hole Player Rod
(2 pcs)



P16 - 3-Hole Player Rod
(4 pcs)



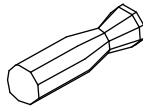
P17 - Player Rod Bumper
(16 pcs)



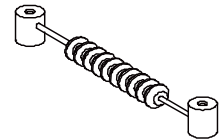
P18 - Player Rod
Plastic Washer
(16 pcs)



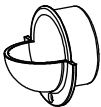
P19 - Player Rod End Cap
(8 pcs)



P20 - Player Rod Handle
(8 pcs)



P21 - Manual Scorer
(2 pcs)



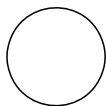
P22 - Outer Ball Entry Cup
(2 pcs)



P23- Inner Ball Entry Cup Retainer
(2 pcs)

ACCESSORIES IDENTIFIER

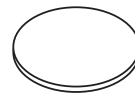
(Not to Scale)



A1 - Texture Ball
(1 pc)



A2 - Soccer Ball
(1 pc)



A3 - Table Leveling Shim
(4 pcs)

PARTS REQUIRED

2pcs - **P1** Side Apron
1pc - **P2** End Apron

4pcs - **H1** Hex Head Bolt
4pcs - **H3** Lock Washer
4pcs - **H4** Flat Washer

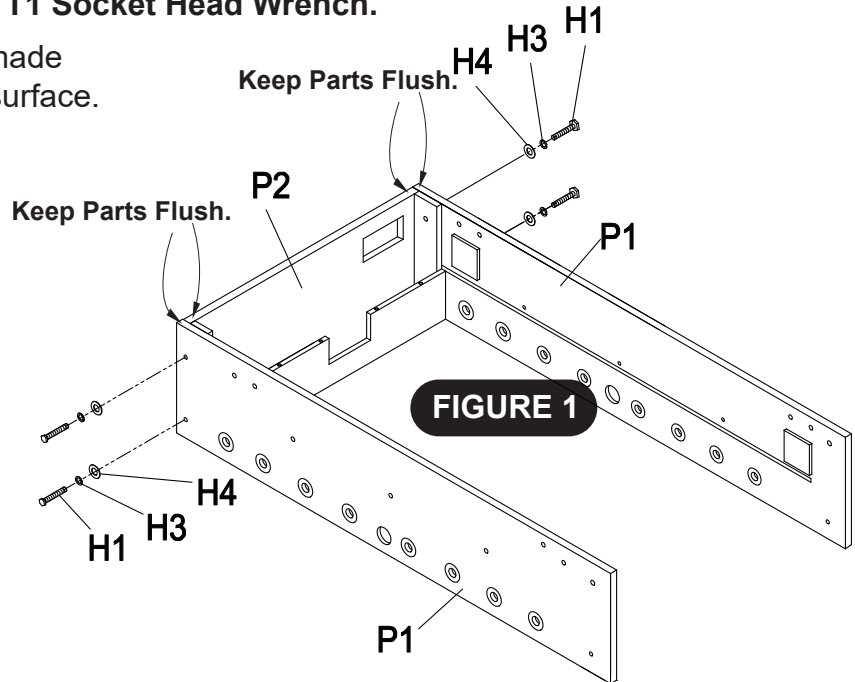
STEP 1

Attach the **P1** Side Aprons onto the **P2** End Apron using the **H1** Hex Head Bolts, **H3** Lock Washers and **H4** Flat Washers as shown in **FIGURE 1**.

Tighten the **H1** bolts using the **T1** Socket Head Wrench.

NOTE: This assembly must be made on a flat, smooth, non-abrasive surface.

NOTE:
This assembly is upside down.

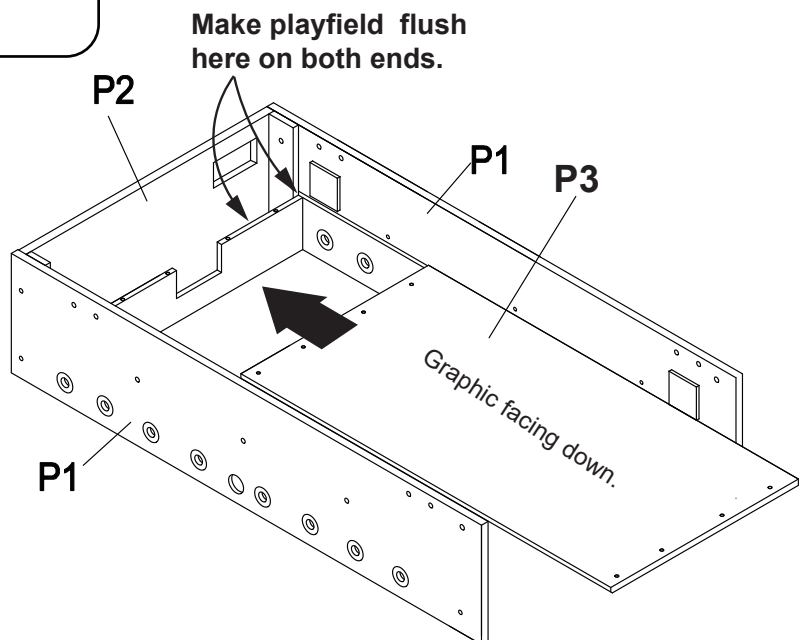


PARTS REQUIRED

1pc - **P3** Playfield

STEP 2

With the help of another adult, install the **P3** Playfield with the graphic facing down onto the **STEP 1** Assembly as shown in **FIGURE 2**.



PARTS REQUIRED

1pc - **P2** End Apron

4pcs - **H3** Lock Washer

4pcs - **H1** Hex Head Bolt

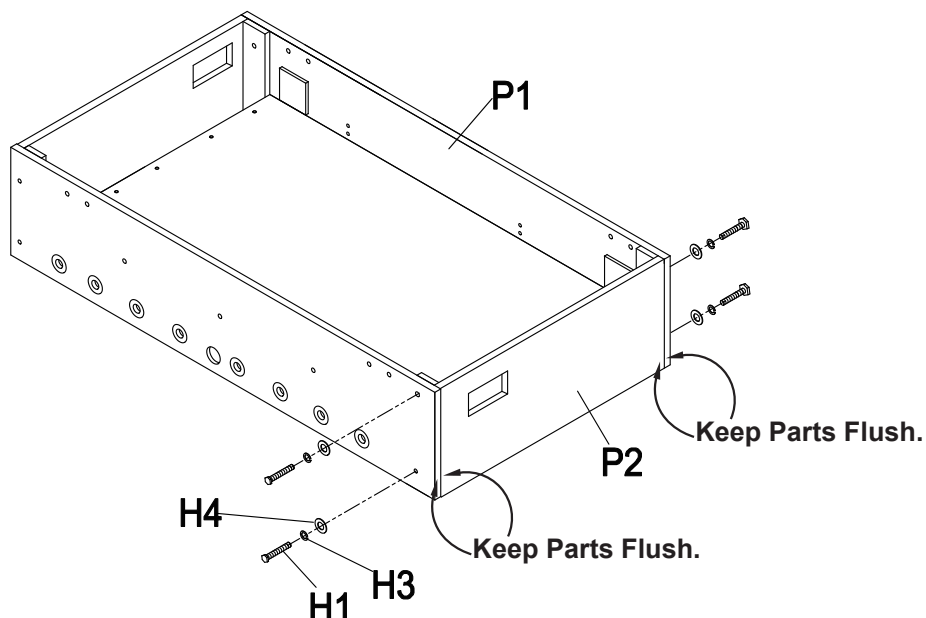
4pcs - **H4** Flat Washer

STEP 3

Attach the **P2** End Apron onto the **P1** Side Aprons using the **H1** Hex Head Bolts, **H3** Lock Washers and **H4** Flat Washers as shown in **FIGURE 3**.

Tighten the **H1** bolts using the **T1** Socket Head Wrench.

FIGURE 3



PARTS REQUIRED

8pcs - **H5** Phillips Round Head Screw

STEP 4

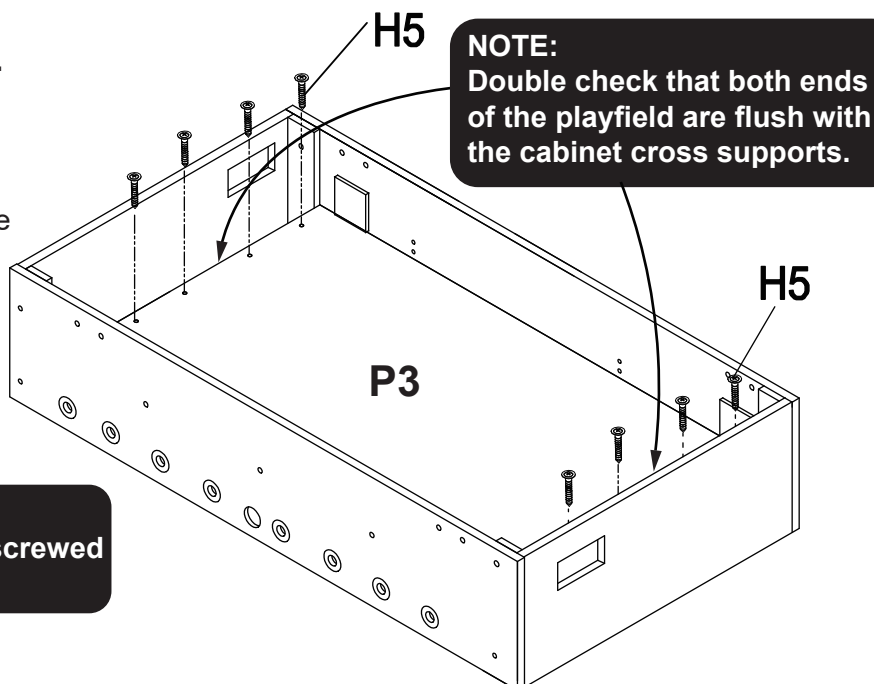
Attach the **P3** Playfield into the **STEP 3** Assembly using the **H5** Phillips Round Head Screws as shown in **FIGURE 4**.

DO NOT strip out the H5 screws.

Before tightening the **H5** Screws, be sure to center the playfield on the End Aprons. Also- **DO NOT** allow any gap between the Side Aprons and the edge of the playfield.

FIGURE 4

NOTE:
Screws must be screwed **STRAIGHT** down.



PARTS REQUIRED

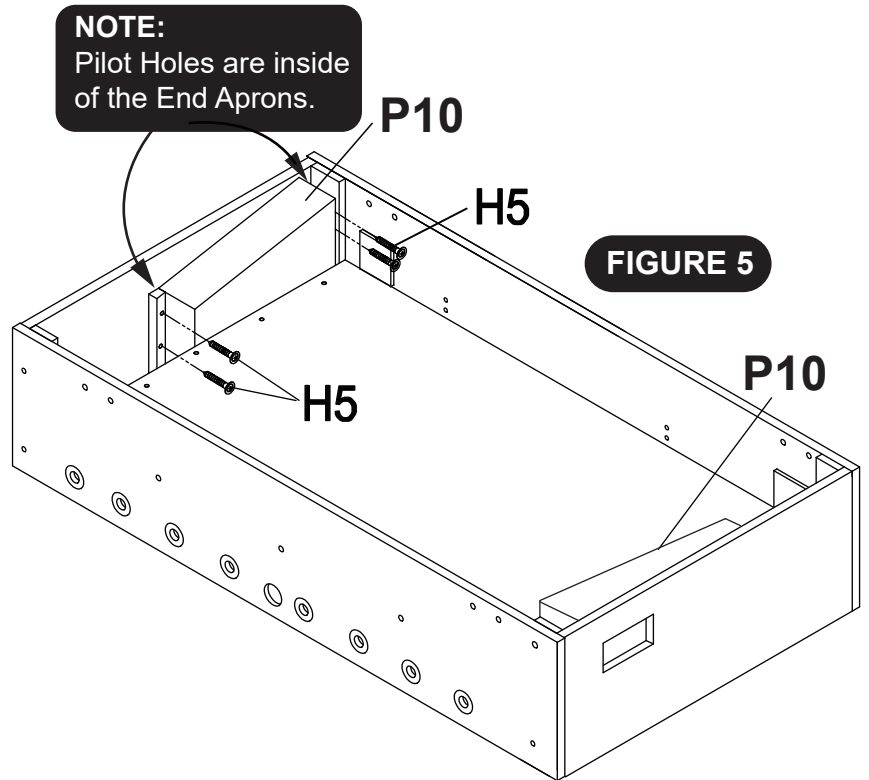
2pcs - P10 Goal Box

8pcs - H5 Phillips Round Head Screw

STEP 5

Attach the **P10** Goal Boxes to the inside of the Main Cabinet using the **H5** Phillips Round Head Screws and pilot holes as shown in **FIGURE 5**.

DO NOT strip out the **H5** Screws.



PARTS REQUIRED

3pcs - P9 Playfield Support Brace

6pcs - H3 Lock Washer

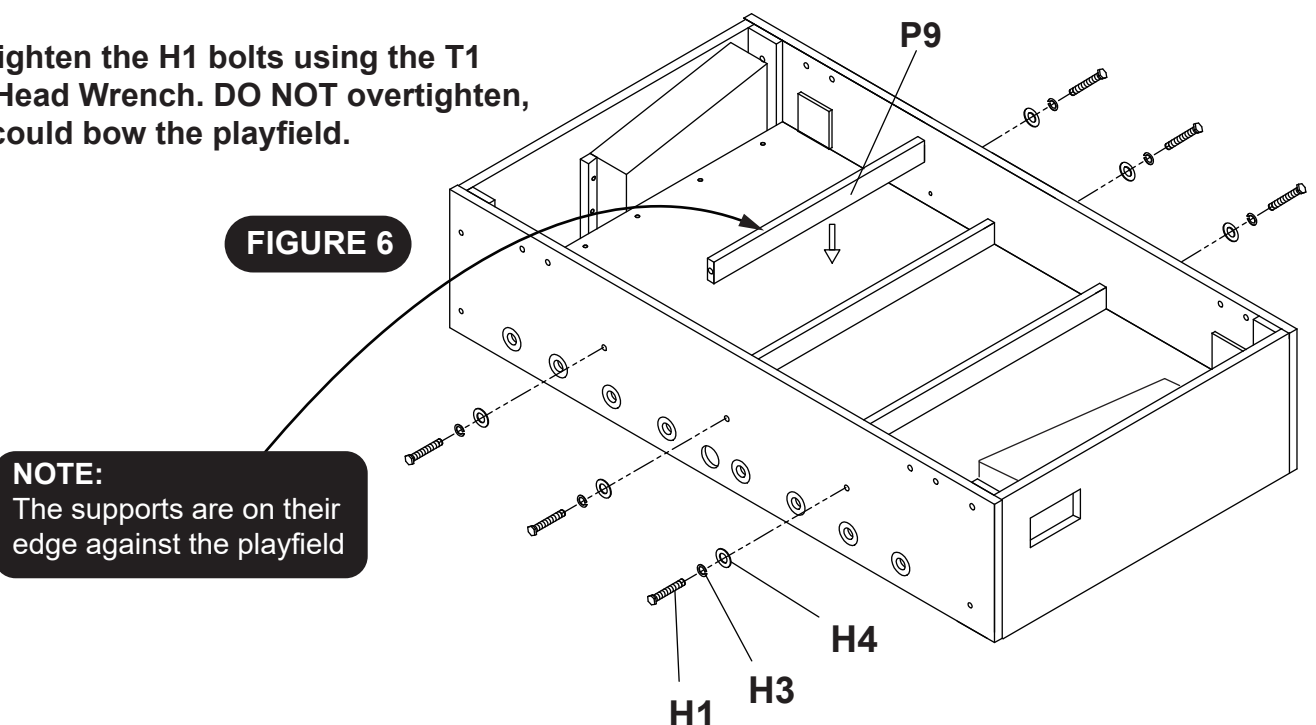
6pcs - H1 Hex Head Bolt

6pcs - H4 Flat Washer

STEP 6

Attach the **P9** Playfield Support Braces to the Main Cabinet using the **H1** Hex Head Bolts, **H3** Lock Washers and **H4** Flat Washers as shown in **FIGURE 6**.

NOTE: Tighten the **H1** bolts using the **T1** Socket Head Wrench. **DO NOT** overtighten, as this could bow the playfield.



PARTS REQUIRED

1pc - **P5** Left Middle Leg
 1pc - **P6** Right Middle Leg
 2pcs - **P7** Upper Leg

8pcs - **H1** Hex Head Bolt
 4pcs - **H2** Hex Head Bolt
 12pcs - **H3** Lock Washer
 12pcs - **H4** Flat Washer

CAUTION: For steps 7 and 8 ---DO NOT push in hard to start the H1&H2 Bolts as this could push out the inner T-nuts.

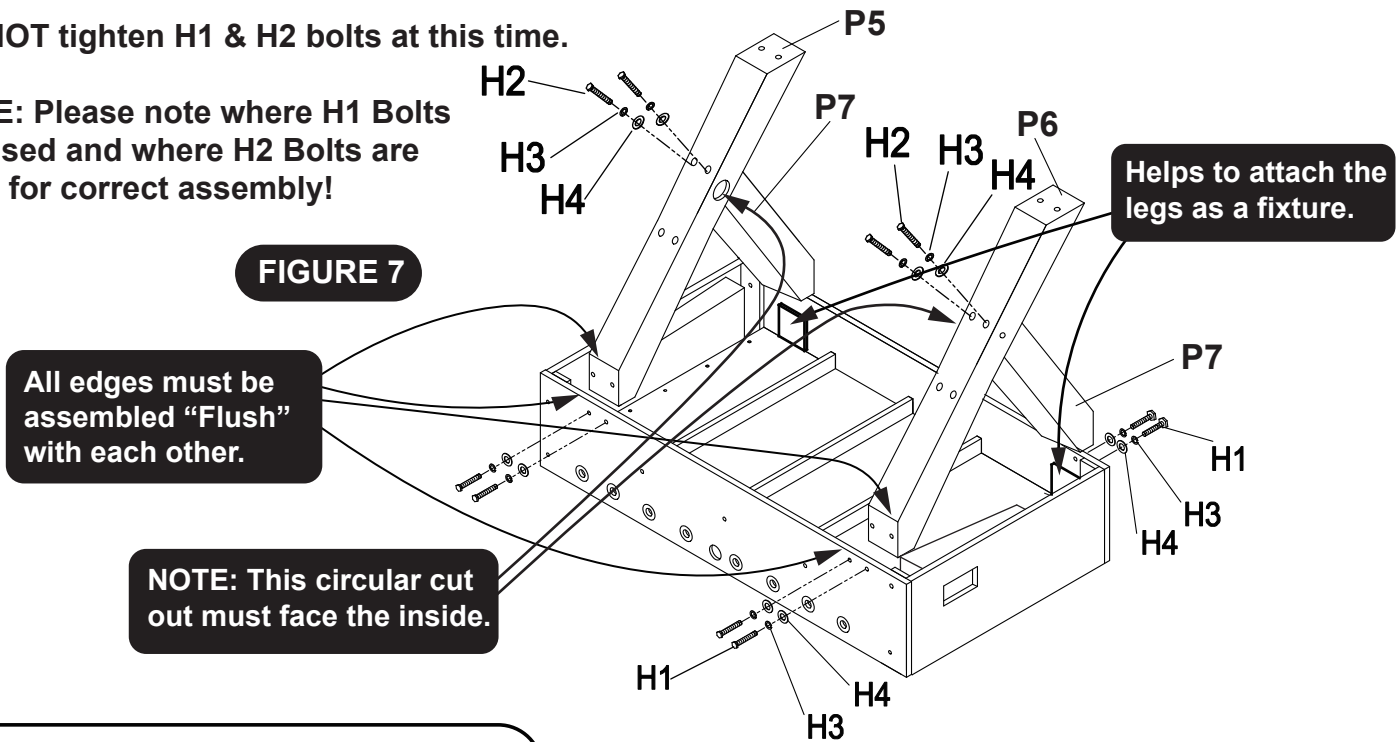
STEP 7

Attach the **P7** Upper Legs, **P5** Left Middle Leg & **P6** Right Middle Leg onto the **Assembly** using the **H1** Hex Head Bolts, **H3** Lock Washers and **H4** Flat Washers as shown in **FIGURE 7**.

Connect the **P5 & P6** Middle Legs with **P7** Upper Legs using H2 Hex Head Bolts, H3 Lock Washers and **H4** Flat Washers as shown in **FIGURE 7**.

DO NOT tighten H1 & H2 bolts at this time.

NOTE: Please note where H1 Bolts are used and where H2 Bolts are used for correct assembly!



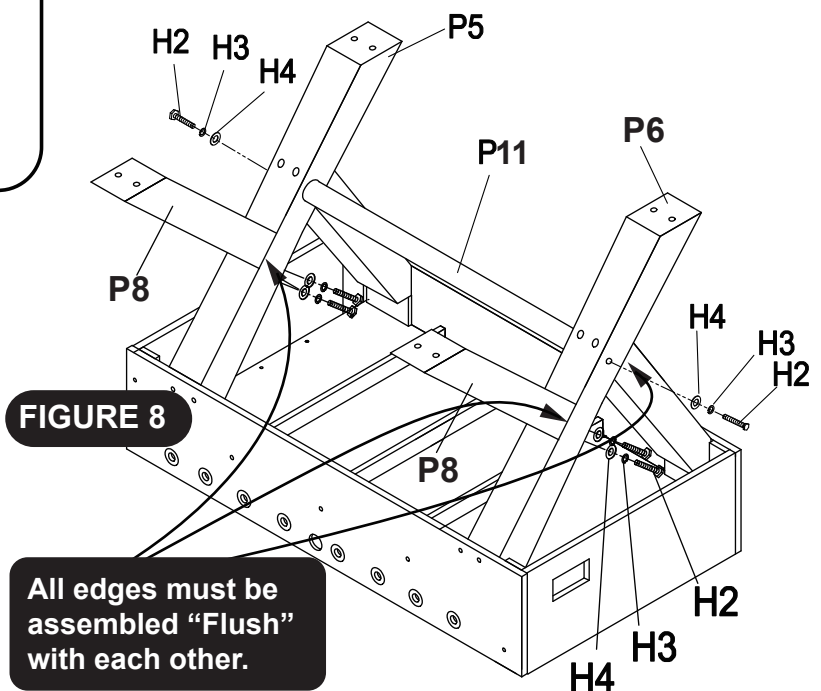
PARTS REQUIRED
 2pcs - **P8** Bottom Leg
 1pc - **P11** Metal Support Rod
 6pcs - **H2** Hex Head Bolt
 6pcs - **H3** Lock Washer
 6pcs - **H4** Flat Washer

STEP 8

Attach the **P8** Bottom Legs onto the **P5&P6** Middle Legs using **H2** Hex Head Bolts, **H3** Lock Washers, **H4** Flat Washers as shown in **FIGURE 8**.

Connect the **P11** Metal Support Rod onto the **P5& P6** Middle Legs using the **H2** Hex Head Bolts, **H3** Lock Washers and **H4** Flat Washers as shown in **FIGURE 8**.

Tighten all H1 & H2 Bolts now using the T1 Socket Head Wrench.



PARTS REQUIRED

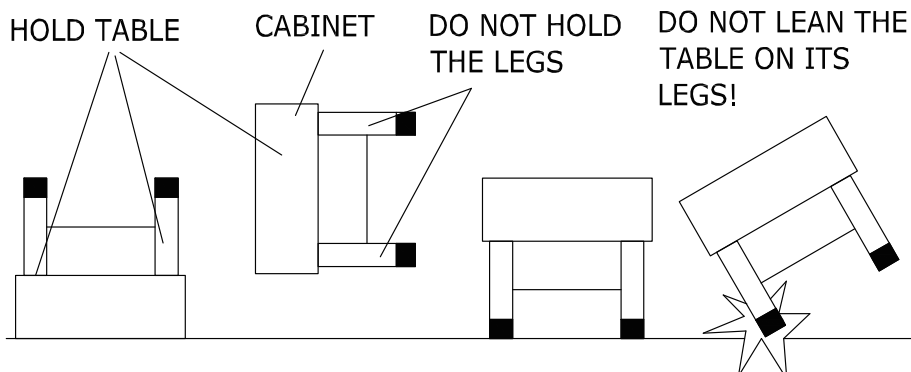
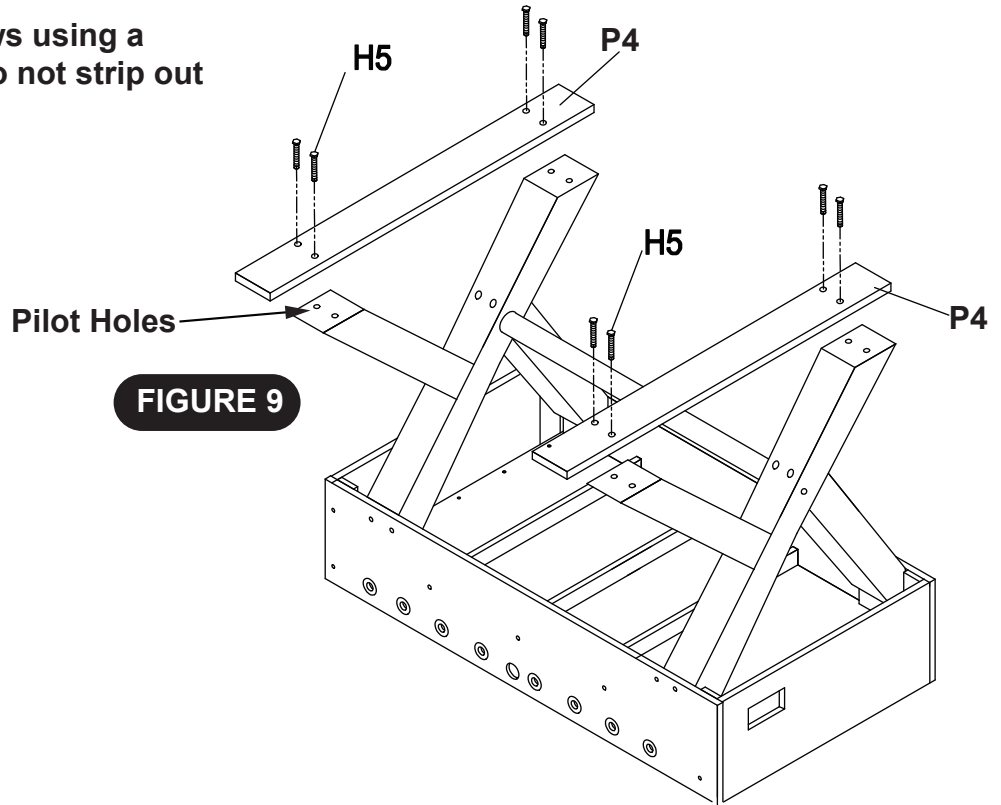
2pcs - **P4** Leg Base

8pcs - **H5** Phillips Round Head Screw

STEP 9

Attach the **P4** Leg Bases onto the **Assembly** using the **H5** Phillips Round Head Screws as shown in **FIGURE 9**.

Tighten all **H5** Leg Screws using a Phillips Screwdriver---Do not strip out the **H5** Screws.



CAUTION: Two strong adults are recommended to flip the table as shown.

1. Grab the table on the ground.
2. Turn the table over.
3. Place it on all four feet at the same time on the ground.

PARTS REQUIRED

13pcs - **P12** Blue Player
 13pcs - **P13** White Player
 2pcs - **P14** 5-Hole Rod
 2pcs - **P15** 2-Hole Rod
 4pcs - **P16** 3-Hole Rod
 16pcs - **P17** Player Rod Bumper
 16pcs - **P18** Player Rod Plastic Washer
 8pcs - **P19** Rod End Cap

8pcs - **P20** Player Rod Handle
 2pcs - **P21** Manual Scorer
 2pcs - **P22** Outer Ball Entry Cup
 2pcs - **P23** Inner Ball Entry Cup
 6pcs - **H6** Phillips Flat Head Screw
 26pcs - **H7** Round Head Bolt
 26pcs - **H8** Nylock Nut

STEP 6

Slide the **P14** 5-Hole Rod, **P15** 2-Hole Rod, **P16** 3-Hole Rod through the Rod Bushing of the **P1** Side Apron, **P17** Rod Bumper, **P18** Rod Washer, **P12** Blue Player or **P13** White Player, **P18** Rod Washer, **P17** Rod Bumper and **P1** Side Apron as shown in **FIGURE 10, Detail A**.

Secure **P12** Blue Players and **P13** White Players onto rods using **H7** Round Head Bolts and **H8** M4 Nylock Nuts as shown in **FIGURE 10, DETAIL A**.

Attach the **P22** Outer Ball Entry Cup & **P23** Inner Ball Entry Cup onto **P1** Side Aprons using pilot holes with **H6** Phillips Round Head Screws as shown in **FIGURE 10, DETAIL B**.

Attach the **P21** Manual Scorers to the top of **P2** End Aprons using pilot holes with **H6** Phillips Flat Head Screws as shown in **FIGURE 10**.

Tighten, but do not strip out the H6 screws.

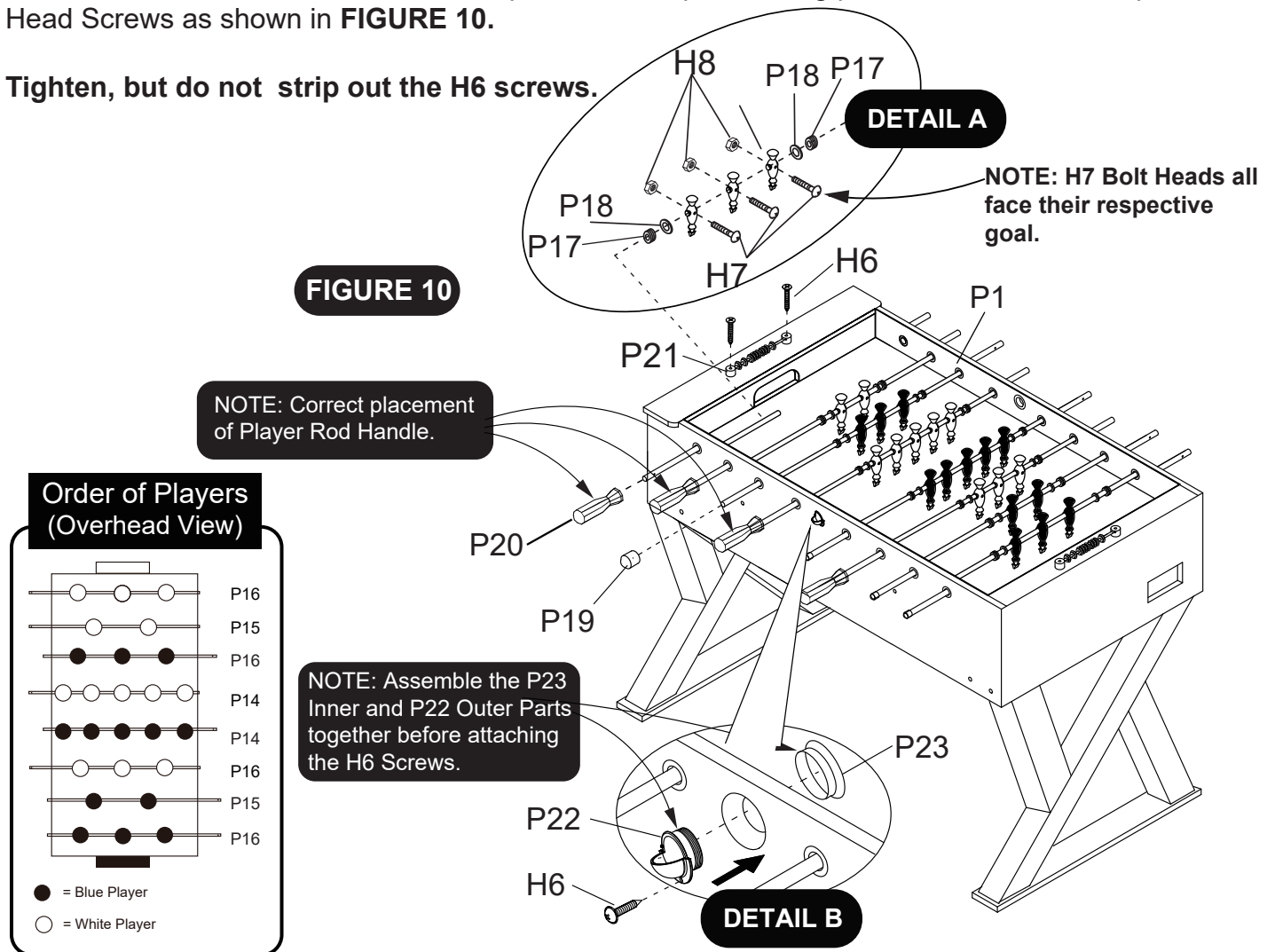


FIGURE 10

NOTE: Correct placement of Player Rod Handle.

NOTE: Assemble the P23 Inner and P22 Outer Parts together before attaching the H6 Screws.

NOTE: Install players onto Player Rods exactly as per this diagram for correct soccer play.

Congratulations! You have now assembled your foosball table. Please note the Care and Use instructions below to insure many years of trouble free use of your foosball table.

CARE AND USE OF YOUR 55" KIRKWOOD FOOSBALL TABLE

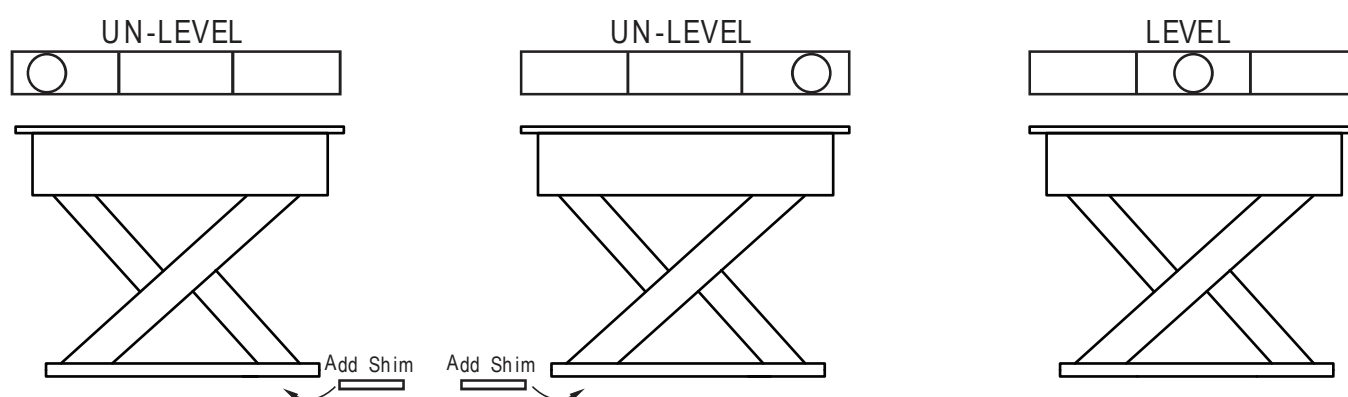
1. **Apply a few drops of lubricant (not provided) to the rods and the bushings. Rotate rods to make sure you spread lubricant evenly.**
2. Use spray furniture polish to clean all exterior surfaces of your soccer table and the playfield.
3. Use a carpenters level to properly level the table using the A3 Table Leveling Shims.
4. This product is intended for **INDOOR** use only.
5. **DO NOT** sit, climb or lean on the table.
6. **DO NOT** drag the table when moving it. This will damage the legs.
7. **DO NOT** set drinks on the table.
8. Cover table when not in use to help prevent dust build up.

PRODUCT PARTS LIST FOR MODEL # AL2010W/F

Key#	Part #	Description	Qty.	Key#	Part #	Description	Qty.
H1	AL2010SYH1	8mm x 40mm Hex Head Bolt	22	P14	AL2010SYP13	5-Hole Player Rod	2
H2	AL2010SYH2	8mm x 130mm Hex Head Bolt	10	P15	AL2010SYP14	2-Hole Player Rod	2
H3	AL2010SYH3	M8 Lock Washer	32	P16	AL2010SYP15	3-Hole Player Rod	4
H4	AL2010SYH4	M8 Flat Washer	32	P17	AL2010SYP16	Player Rod Bumper	16
H5	AL2010SYH5	3.5mm x 28mm Phillips Round Head Screw	24	P18	AL2010SYP17	Player Rod Plastic Washer	16
H6	AL2010SYH6	3.5mm x 14mm Phillips Flat Head Screw	6	P19	AL2010SYP18	Player Rod End Cap	8
H7	AL2010SYH7	4mm x 25mm Round Head Bolt	26	P20	AL2010SYP19	Player Rod Handle	8
H8	AL2010SYH8	M4 Nylock Nut	26	P21	AL2010SYP20	Manual Scorer	2
T1	AL2010SYT1	Socket Head Wrench	1	P22	AL2010SYP21	Outer Ball Entry Cup	2
P1	AL2010SYP1	Side Apron	2	P23	AL2010SYP22	Inner Ball Entry Cup	2
P2	AL2010SYP2	End Apron	2	A1	AL2010SYA1	Texture Ball	1
P3	AL2010SYP3	Playfield	1	A2	AL2010SYA2	Soccer Ball	1
P4	AL2010SYP4	Leg Base	2	A3	AL2010SYA3	Table Leveling Shim	4
P5	AL2010SYP5	Left Middle Leg	1	K1	AL2010SYK1	Hardware Kit	1
P6	AL2010SYP5	Right Middle Leg	1	M1	AL2010SYM1	Owner's Manual	1
P7	AL2010SYP6	Upper Leg	2				
P8	AL2010SYP7	Bottom Leg	2				
P9	AL2010SYP8	Playfield Support Brace	3				
P10	AL2010SYP9	Goal Box	2				
P11	AL2010SYP10	Metal Support Rod	1				
P12	AL2010SYP11	Blue Player	13				
P13	AL2010SYP12	White Player	13				

INSTRUCTIONS FOR LEVELING A GAME TABLE

- Assemble game table according to the instruction.
- Any type of level would be sufficient to perform this procedure. However, a two-foot level is recommended.
- Before leveling, make sure level is placed on the playing surface if possible, not the rails.
- Level the ends: Place the level on the playing surface and adjust the height by placing shims (A3) underneath the leg opposite of which the bubble in the level favors until the bubble rests in the middle of the level.



- Repeat the step above to the opposite end of the game table.
- Next, level the length of the table. Place the level next to the side of the table and adjust the height to position the bubble in the middle of the level, using the shims beneath the leg opposite of which the bubble in the level favors.
- Repeat the step above to the opposite length of the table.
- Recheck both short ends to ensure bubble is in the middle on the level.
- Depending on the surface the game table sits, especially deep pile carpeting, the game table needs to settle for 24 hours. Recheck the level on each side of the table after 24 hours.

Congratulations!

We hope you will enjoy many hours of competition and fun from your new Foosball Table!

Please Carefully read all safety instructions, all assembly directions, and all care and maintenance suggestions before proceeding.

- 1) The foosball table is heavy. Two or more people are required for assembly, flipping the table right side up during assembly, and placing the table into it's final location.
- 2) This foosball table shall only be used for its intended purpose.
- 3) This foosball table is designed and intended for indoor use only in a climate controlled environment. Damage to the table can occur if it is exposed to water, dampness, high humidity, freezing temperatures, etc.
- 4) Damaged or worn parts may be dangerous for players as well as the integrity of the foosball table. Replace damaged and or worn parts immediately and do not use the product until these issues have been resolved. Please call the Customer Service number on the front page of the owner assembly manual for parts questions and for any assistance needed for this product.
- 5) Unauthorized repairs or altering the tables design or functions may be dangerous and will void the warranty.
- 6) Periodically, check all screws, bolts, etc. to insure the foosball table is in good working condition and nothing has worked loose over time.
- 7) Please keep the soccer balls, player rod lubricant and any other small parts out of the reach of children and pets.
- 8) This product is not a toy. Adult supervision is recommended when being used by children.
- 9) Always use care when pushing or pulling the rods so people or objects do not get injured or damaged.

90 DAY LIMITED WARRANTY

This consumer warranty extends to the original consumer purchase of any ESCALADESPORTS Product (hereinafter referred as the "Product").

WARRANTY DURATION: This Product is warranted to the original consumer purchase of a period of 90 days from the original purchase.

WARRANTY COVERAGE: ESCALADE SPORTS warrants to the original Consumer Purchaser that any Product of its manufacture is free from defects in material and workmanship when used for the intended purpose under normal use and conditions. THIS WARRANTY IS VOID IF THE PRODUCT HAS BEEN DAMAGED BY ACCIDENT, UNREASONABLE USE, NEGLIGENCE, IMPROPER SERVICE, FAILURE TO FOLLOW INSTRUCTIONS PROVIDED WITH THE PRODUCT OR OTHER CAUSES NOT ARISING OUT OF DEFECTS IN MATERIAL AND WORKMANSHIP.

WARRANTY PERFORMANCE: During the above 90 day warranty period, ESCALADESPORTS shall repair or replace with a comparable model, and Product, or component thereof, which may prove defective under normal use and proper care, and which our examination shall disclose to our satisfaction to be thus defective, please contact our Warranty Dept.

1-888-996-2729 / Warranty Dept.

Or Write us at:

Escalade® Sports, Inc. - P.O. Box 889, Evansville, IN 47706

Attn: Warranty Dept.

Or E-mail us at:

gameroom@escaladesports.com

Other than shipping requirements no charge will be made for such repair or replacement of in-warranty Products. ESCALADE SPORTS strongly recommends that the Product is insured for value prior to mailing.

WARRANTY DISCLAIMERS: ANY IMPLIED WARRANTIES ARISING OUT OF THIS SALE, INCLUDING BUT NOT LIMITED TO THE IMPLIED WARRANTIES OF MERCHANTABILITY AND FITNESS FOR A PARTICULAR PURPOSE, ARE LIMITED IN DURATION TO THE ABOVE 90 DAY PERIOD. ESCALADE SPORTS SHALL NOT BE LIABLE FOR LOSS OF USE OF THE PRODUCT OR OTHER CONSEQUENTIAL OR INCIDENTAL COSTS, EXPENSES OR DAMAGES INCURRED BY THE CONSUMER OF ANY OTHER USE.

Some states do not allow the exclusion or limitation of implied warranties or consequential or incidental damages, so the above limitations or exclusions may not apply to you.

LEGAL REMEDIES: This warranty gives you specific legal rights and you may also have other rights which may vary from state to state.



Nous nous efforçons de garantir que nos produits sont de la plus haute qualité et exempts de défauts de fabrication ou de pièces manquantes. Cependant, si vous rencontrez des

problèmes avec votre nouveau produit,
NE LE RENVOYEZ PAS AU MAGASIN.

Veillez nous contacter sans frais au :

1-888-996-2729

TÉLÉCOPIEUR : 1-866-873-3531

gameroom@escaladesports.com

Adresse postale : (Correspondance)

Escalade Sports

Case postale : 889

Evansville, Indiana 47706-0889

Emplacement physique :

Escalade Sports

817 Maxwell Ave.

Evansville, Indiana 47711

Veillez visiter notre site Web à :

www.escaladesports.com

Ayez votre numéro de modèle à portée de main lorsque vous vous renseignez sur les pièces.

Lorsque vous contactez Escalade Sports, veuillez fournir votre numéro de modèle, le code de date (le cas échéant) et le numéro de pièce si vous demandez une pièce de rechange. Ces numéros se trouvent sur le produit, l'emballage et ce guide d'utilisation.

Votre numéro de modèle : **AL2010W/F**

Code de date : **2 – AL2010W – -SY**

Date d'achat : _____

VEUILLEZ CONSERVER CE GUIDE D'UTILISATION POUR RÉFÉRENCE ULTÉRIEURE

IMPORTANT! LISEZ CHAQUE ÉTAPE DE CE GUIDE AVANT DE COMMENCER LE MONTAGE.

IMPORTANT!

LES DESSINS DE CE MANUEL PEUVENT ÊTRE EXAGÉRÉS OU MODIFIÉS POUR MONTRER LES DÉTAILS.



DEUX ADULTES SONT NÉCESSAIRES POUR MONTER CETTE TABLE DE BABY-FOOT KIRKWOOD DE 55 PO

Outils nécessaires :

- Clé à douille (incluse)
- Tournevis cruciforme
- Cirage pour meubles et chiffon doux
- Niveau de menuiserie
- Lubrifiant de type pour service léger

Un tournevis électrique est utile pour le montage. Cependant, veuillez le régler à faible couple et faire preuve d'une extrême prudence avec un tournevis électrique, car vous pourriez trop serrer le matériel et dénuder les vis.

Conseils pour le montage

Assurez-vous de bien comprendre les conseils suivants avant de commencer à monter votre table de baby-foot.

1. Débloquez tous les boulons à la main avant de les serrer.
2. Certains dessins ou images de ce guide peuvent ne pas ressembler exactement à votre produit. Veuillez lire et comprendre le texte avant de commencer chaque étape de montage.

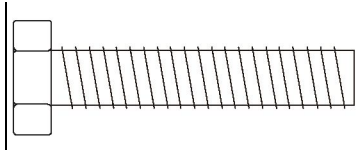


ATTENTION :

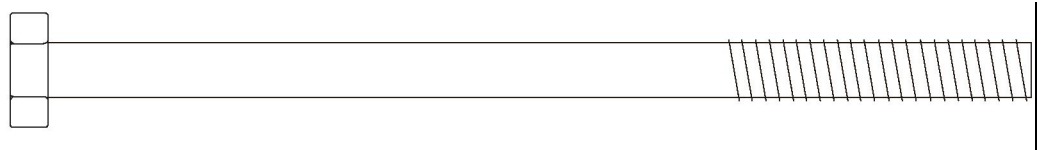
LISEZ ET SUIVEZ ATTENTIVEMENT TOUTES LES INSTRUCTIONS DE MONTAGE, D'UTILISATION ET DE SÉCURITÉ. DEUX ADULTES SONT NÉCESSAIRES POUR MONTER CETTE TABLE DE BABY-FOOT.

IDENTIFICATEUR DU MATÉRIEL

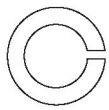
(À l'échelle)



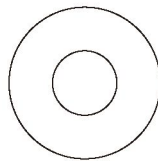
H1 – Boulon à tête hexagonale
8 x 40 mm
(22 pièces)



H2 – 8 x 130 mm
Boulon à tête hexagonale
(10 pièces)



H3 – Rondelle de blocage M8
(32 pièces)



H4 – Rondelle plate M8
(32 pièces)



H5 – Vis à tête ronde Phillips
3,5 x 28 mm
(24 pièces)



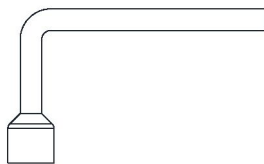
H6 – Vis à tête plate cruciforme
3,5 x 14 mm
(6 pièces)



H7 – Boulon cruciforme à tête ronde
4 x 25 mm
(26 pièces)



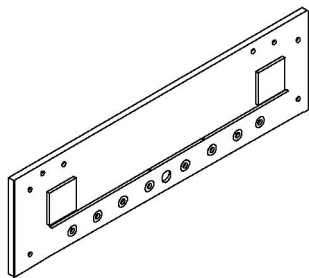
H8 – Contre-écrou M4
(26 pièces)



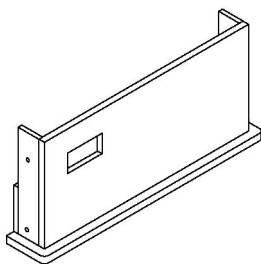
(non à l'échelle)

T1 – Clé à douille
(1 pièce)

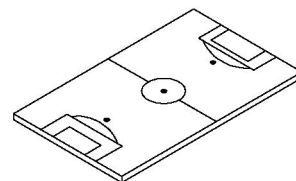
IDENTIFICATEUR DE PIÈCES (non à l'échelle)



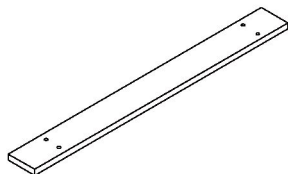
P1 – Tablier latéral
(2 pièces)



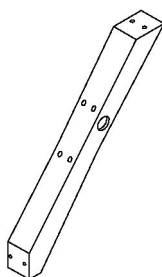
P2 – Tablier d'extrémité
(2 pièces)



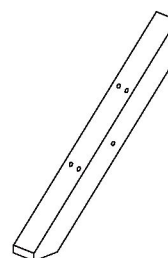
P3 – Terrain de jeu
(1 pièce)



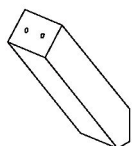
P4 – Base de pied
(2 pièces)



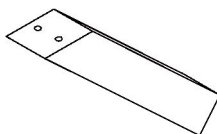
P5 – Pied central gauche
(1 pièce)



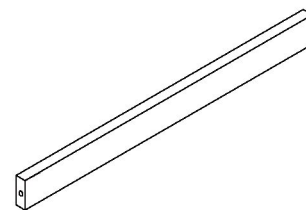
P6 – Pied central droit
(1 pièce)



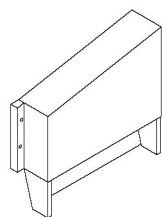
P7 – Pied supérieur
(2 pièces)



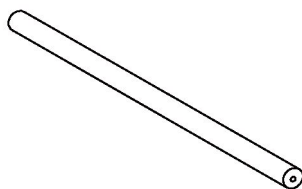
P8 – Pied inférieur
(2 pièces)



P9 – Support de terrain de jeu
(3 pièces)



P10 – Goal
(2 pièces)



P11 – Tige de support en métal
(1 pièce)

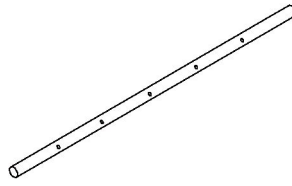


P12 – Joueur bleu
(13 pièces)

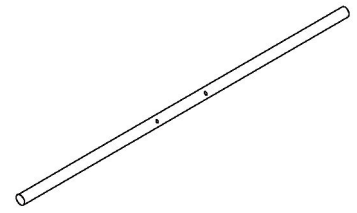
IDENTIFICATEUR DE PIÈCES (non à l'échelle)



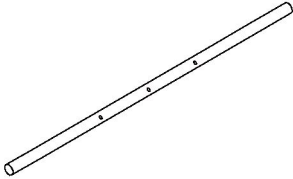
P13 – Joueur blanc
(13 pièces)



P14 – Tige de joueur à 5 trous
(2 pièces)



P15 – Tige de joueur à 2 trous
(2 pièces)



P16 – Tige de joueur
à 3 trous
(4 pièces)



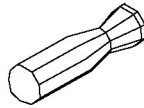
P17 – Pare-chocs de tige de
joueur
(16 pièces)



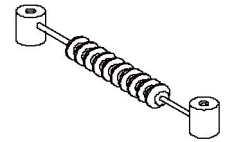
P18 – Tige de joueur
Rondelle en plastique
(16 pièces)



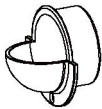
P19 – Capuchon d'extrémité
de tige de joueur
(8 pièces)



P20 – Poignée de tige de
joueur
(8 pièces)



P21 – Marqueur manuel
(2 pièces)

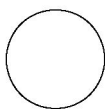


P22 – Coupelle d'entrée de
balle extérieure
(2 pièces)



P23- Retenue de coupelle d'entrée de balle intérieure
(2 pièces)

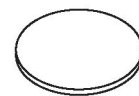
IDENTIFICATEUR D'ACCESSOIRES (non à l'échelle)



A1- Boule texturée
(1 pièce)



A2 – Ballon de football
(1 pièce)



A3 – Cale de mise à
niveau de table
(4 pièces)

PIÈCES NÉCESSAIRES

2 pièces – Tablier latéral **P1**

1 pièce – Tablier d'extrémité **P2**

4 pièces – Boulon à tête hexagonale **H1**

4 pièces – Rondelle de blocage **H3**

4 pièces – Rondelle plate **H4**

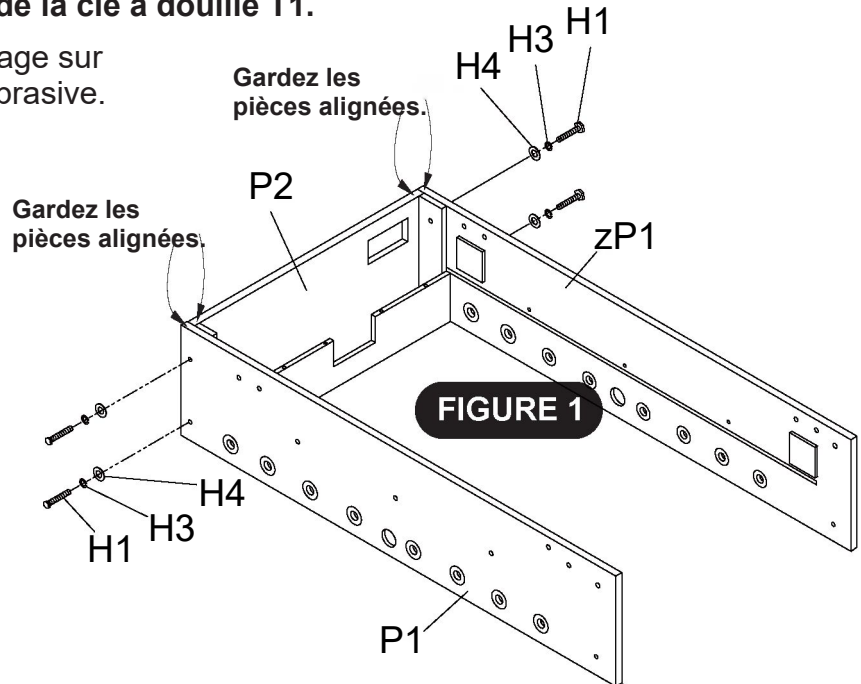
ÉTAPE 1

Fixez les tabliers latéraux **P1** sur le tablier d'extrémité **P2** à l'aide des boulons à tête hexagonale **H1**, des rondelles de blocage **H3** et des rondelles plates **H4**, comme indiqué sur la **FIGURE 1**.

Serrez les boulons **H1** à l'aide de la clé à douille **T1**.

REMARQUE : Effectuez le montage sur une surface plane, lisse et non abrasive.

REMARQUE :
Ce montage est à l'envers.

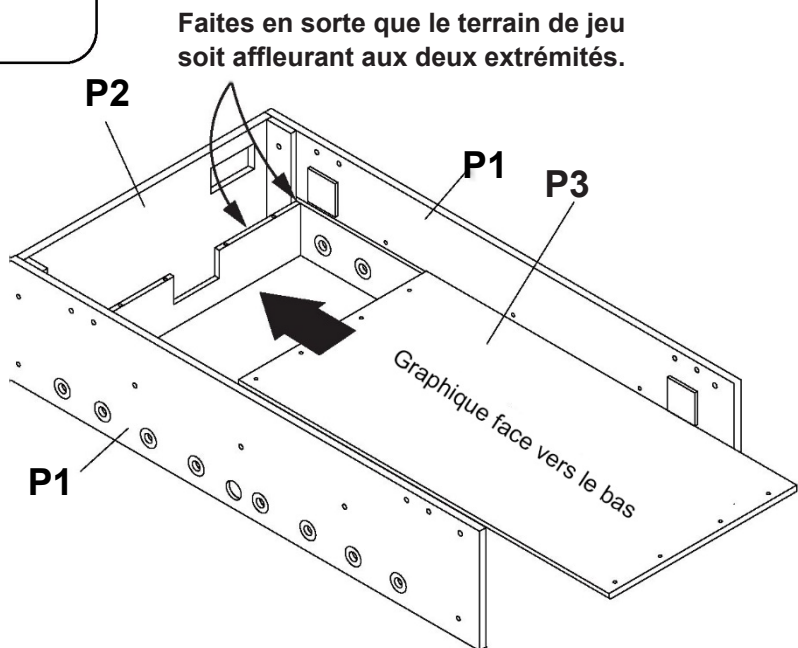


PARTS REQUIRED

1pc - **P3** Playfield

ÉTAPE 2

Avec l'aide d'un autre adulte, installez le terrain de jeu **P3** avec le graphique vers le bas sur le montage à l'étape 1 comme indiqué sur la **FIGURE 2**.



PIÈCES NÉCESSAIRES

1 pc – P2 Tablier d'extrémité

4 pièces – H3 Rondelle de blocage

4 pièces – H1 Boulon à tête hexagonale

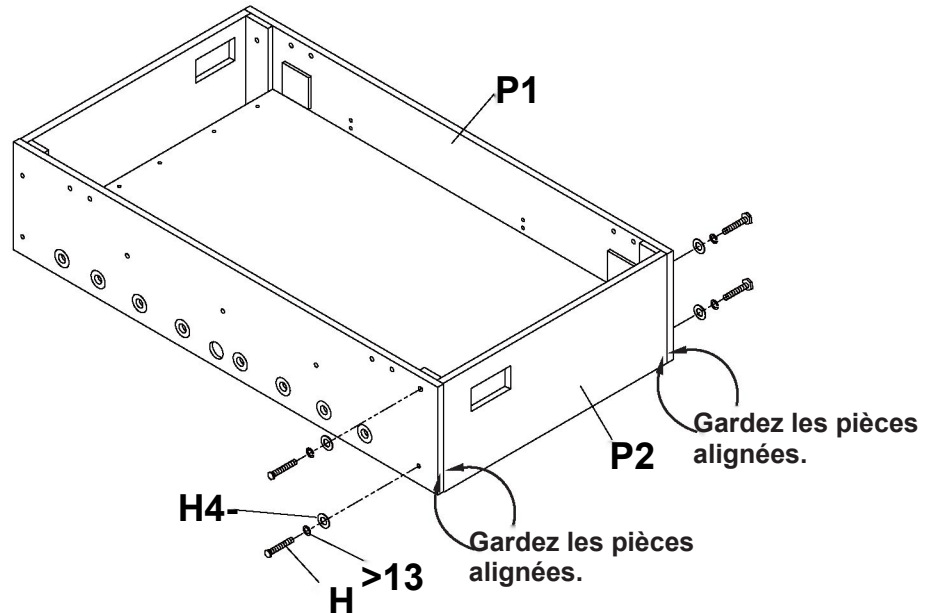
4 pièces – H4 Rondelle plate

ÉTAPE 3

Fixez le tablier d'extrémité P2 sur les tabliers latéraux P1 à l'aide des boulons à tête hexagonale H1, des rondelles de blocage H3 et des rondelles plates H4, comme indiqué sur la FIGURE 3.

Serrez les boulons H1 à l'aide de la clé à douille T1.

FIGURE 3



PIÈCES NÉCESSAIRES

8 pièces – Vis cruciforme à tête ronde

ÉTAPE 4

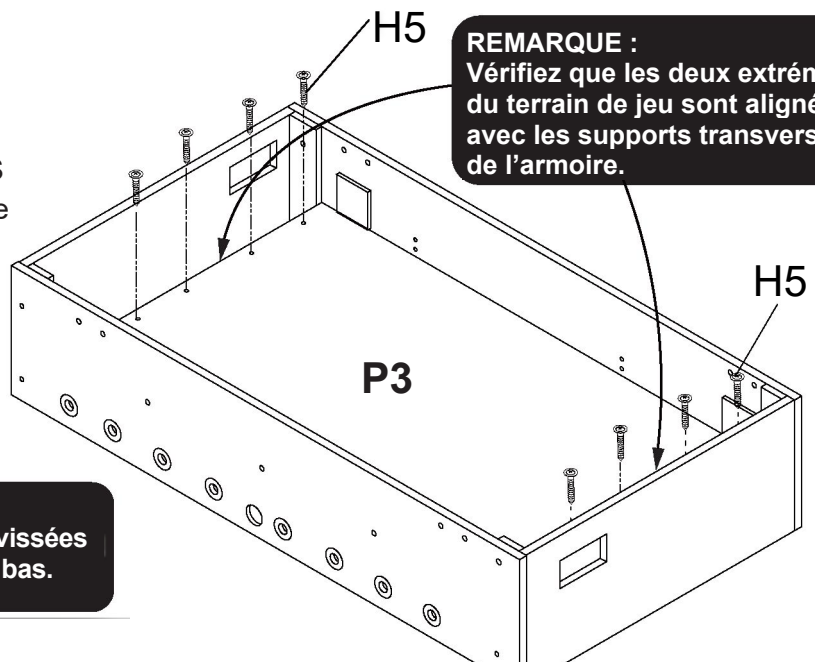
Fixez le terrain de jeu P3 au montage à l'ÉTAPE 3 à l'aide des vis cruciforme H5 à tête ronde, comme indiqué sur la FIGURE 4.

NE DÉMONTÉZ PAS les vis H5.

Avant de serrer les vis H5, veillez à centrer le terrain de jeu sur les tabliers d'extrémité. De plus, NE LAISSEZ PAS d'espace entre les tabliers latéraux et le bord du terrain de jeu.

FIGURE 4

REMARQUE :
Les vis doivent être vissées
TOUT DROIT vers le bas.



PIÈCES NÉCESSAIRES

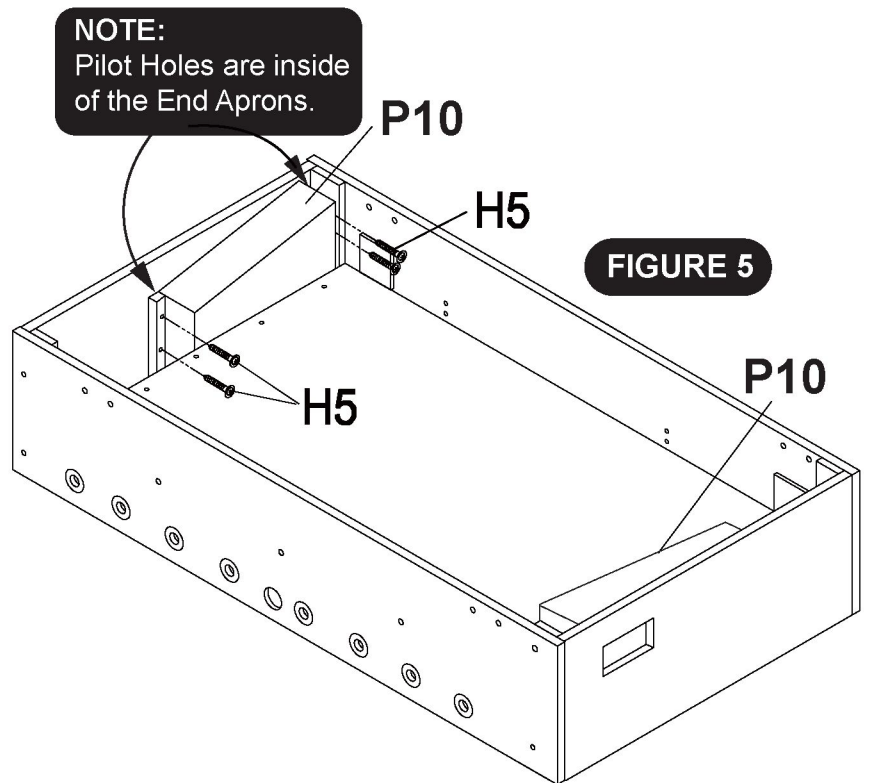
2 pièces – P10 Goal

8 pièces – H5 Vis cruciforme à tête ronde

ÉTAPE 5

Fixer les goals **P10** à l'intérieur à l'armoire principale à l'aide des vis à tête ronde Phillips **H5** et des trous pilote comme indiqué sur la **FIGURE 5**.

NE PAS retirer les vis H5.



PIÈCES NÉCESSAIRES

3 pièces – Support de terrain de jeu **P9**
6 pièces – Boulon à tête hexagonale **H1**

6 pièces – Rondelle de blocage **H3**
6 pièces – Rondelle plate **H4**

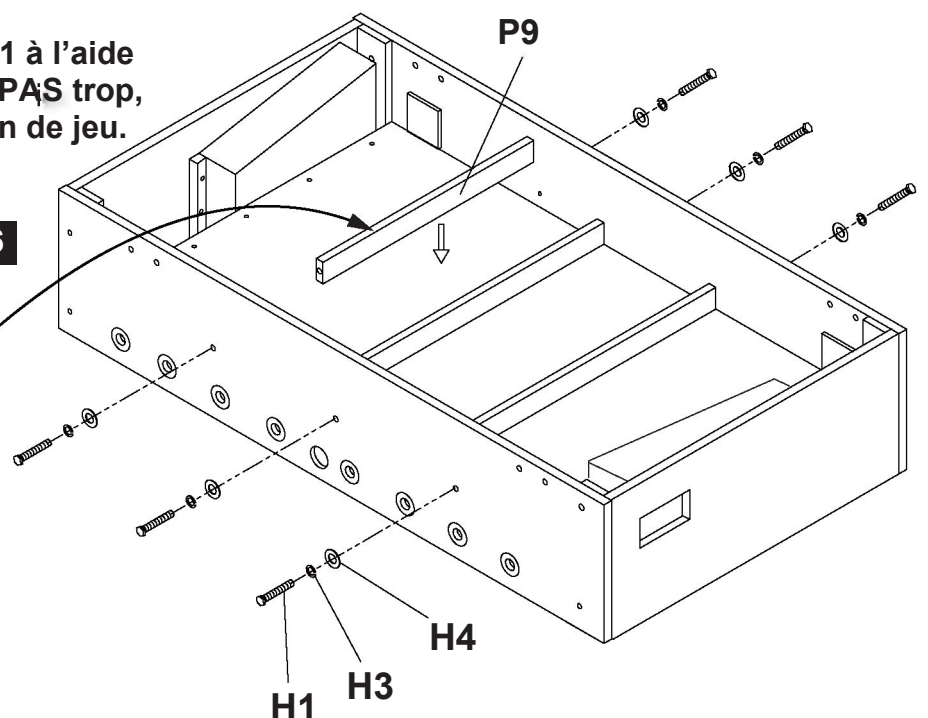
ÉTAPE 6

Fixez les supports de terrain de jeu **P9** à l'armoire principale à l'aide des boulons à tête hexagonale **H1**, des rondelles de blocage **H3** et des rondelles plates **H4**, comme illustré à la **FIGURE 6**.

REMARQUE : Serrez les boulons **H1** à l'aide de la clé à douille **T1**. **NE SERREZ PAS trop**, car cela pourrait déformer le terrain de jeu.

FIGURE 6

REMARQUE :
Les supports sont à bout contre le terrain de jeu



Pour le service à la clientèle,
appelez le 1-888-996-2729

PIÈCES NÉCESSAIRES

1 pièce – Pied central gauche **P5**

1 pièce – Pied central droit **P6**

2 pièces – Pied supérieur **P7**

8 pièces – **H1** Boulon à tête hexagonale

4 pièces – **H2** Boulon à tête hexagonale

12 pièces – **H3** Rondelle de blocage

12 pièces – **H4** Rondelle plate

MISE EN GARDE : Pour les étapes 7 et 8 --- NE poussez PAS fort pour débloquer les boulons H1&H2 car cela pourrait faire sortir les écrous en T intérieurs.

ÉTAPE 7

Fixez les pieds supérieurs **P7**, le pied central gauche **P5** et le pied central droit **P6** sur l'ensemble à l'aide des boulons à tête hexagonale **H1**, des rondelles de blocage **H3** et des rondelles plates **H4**, comme indiqué sur la **FIGURE 7**.

Reliez les pieds centraux **P5** et **P6** aux pieds supérieurs **P7** à l'aide des boulons à tête hexagonale **H2**, des rondelles de blocage **H3** et des rondelles plates **H4**, comme illustré à la **FIGURE 7**.

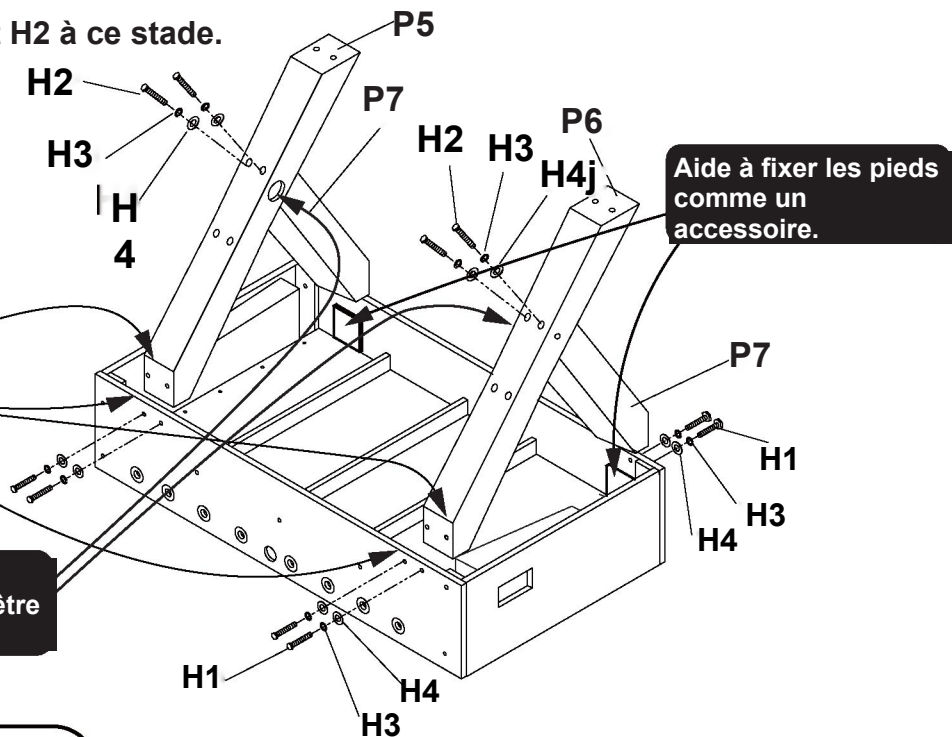
NE SERREZ PAS les boulons H1 et H2 à ce stade.

REMARQUE : Veuillez noter où les boulons H1 sont utilisés et où les boulons H2 sont utilisés pour un montage correct!

FIGURE 7

Tous les bords doivent être montés « à fleur » les uns des autres.

REMARQUE : Cette découpe circulaire doit être orientée vers l'intérieur.



PIÈCES NÉCESSAIRES

2 pièces – Pied inférieur **P8**

1 pièce – **P11** Tige de support en métal

6 pièces – **H2** Boulon à tête hexagonale

6 pièces – **H3** Rondelle de blocage

6 pièces – **H4** Rondelle plate

ÉTAPE 8

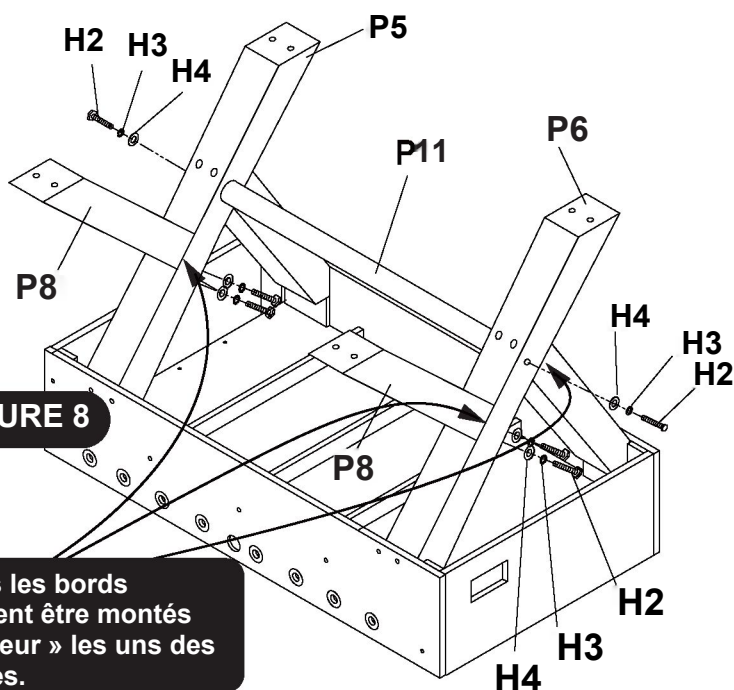
Fixez les pieds inférieurs **P8** aux pieds centraux **P5** et **P6** à l'aide de boulons à tête hexagonale **H2**, de rondelles de blocage **H3** et de rondelles plates **H4**, comme illustré à la **FIGURE 8**.

Raccordez la tige de support métallique **P11** aux pieds centraux **P5** et **P6** à l'aide des boulons à tête hexagonale **H2**, des rondelles de blocage **H3** et des rondelles plates **H4**, comme illustré à la **FIGURE 8**.

Serrez tous les boulons H1 et H2 à l'aide de la clé à douille T1.

FIGURE 8

Tous les bords doivent être montés « à fleur » les uns des autres.



PIÈCES NÉCESSAIRES

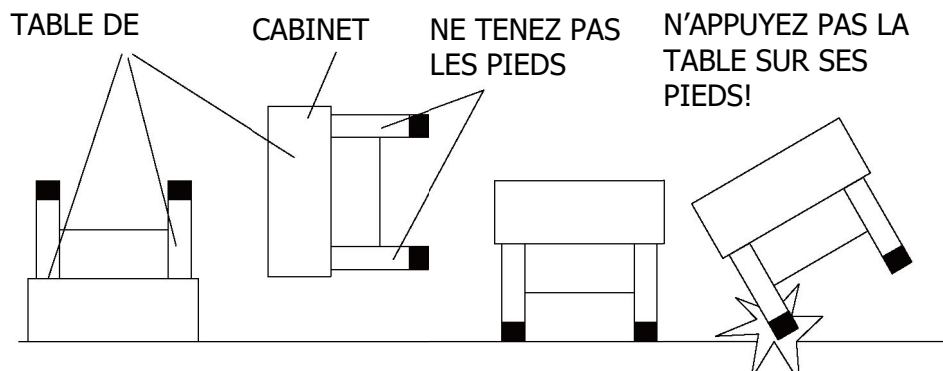
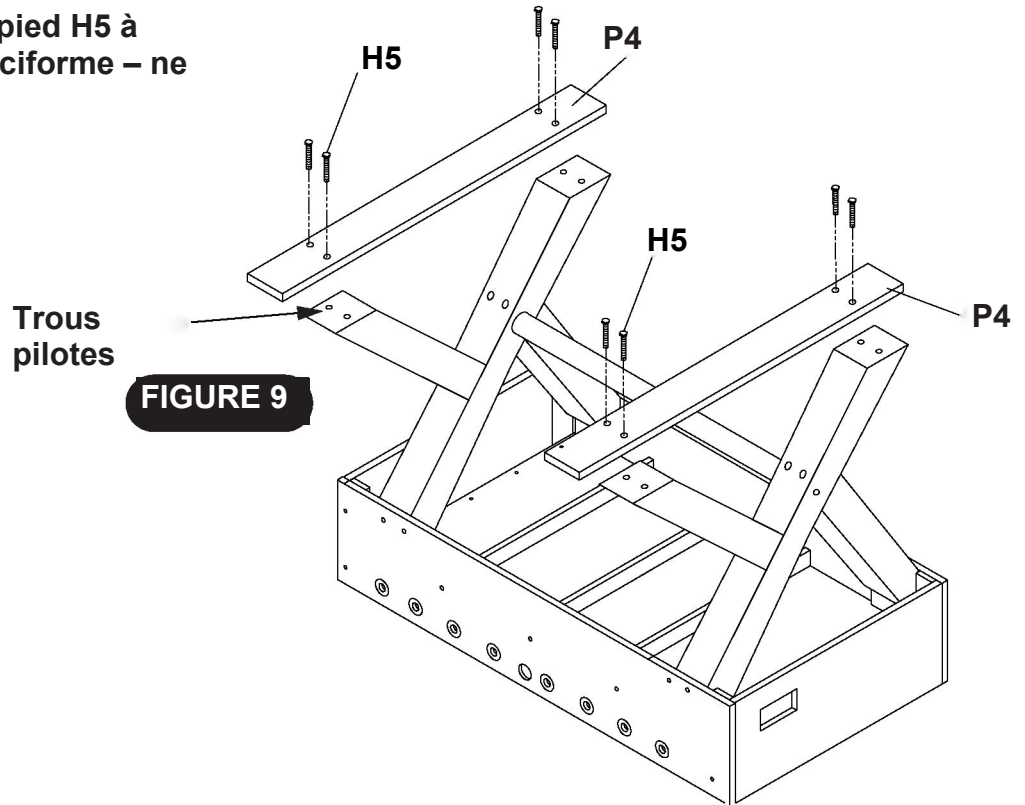
2 pièces – Base de pied **P4**

8 pièces – **H5** Vis à tête ronde Phillips

ÉTAPE 9

Fixez les bases des pieds **P4** sur l'ensemble à l'aide des vis cruciformes à tête ronde **H5**, comme illustré à la **FIGURE 9**.

Serrez toutes les vis du pied H5 à l'aide d'un tournevis cruciforme – ne dénudez pas les vis H5.



MISE EN GARDE : Deux fois il est recommandé aux adultes de retourner la table comme indiqué.

1. Prenez la table au sol.
2. Retournez la table.
3. Placez-le sur les quatre pieds en même temps au sol.

PIÈCES NÉCESSAIRES

13 pièces – **P12** Joueur bleu
 13 pièces – **P13** Joueur blanc
 2 pièces – **P14** Tige à 5 trous
 2 pièces – **P15** Tige à 2 trous
 4 pièces – **P16** Tige à 3 trous
 16 pièces – **P17** Pare-chocs de tige de joueur
 16 pièces – **P18** Rondelle en plastique pour tige de joueur
 8 pièces – **P19** Embout de tige

8 pièces – **P20** Poignée de tige de joueur
 2 pièces – **P21** Marqueur manuel
 2 pièces – **P22** Coupelle d'entrée de balle extérieure
 2 pièces – **P23** Coupelle d'entrée de balle intérieure
 6 pièces – **H6** Vis à tête plate cruciforme
 26 pièces – **H7** Boulon à tête ronde
 26 pièces – **H8** Contre-écrou

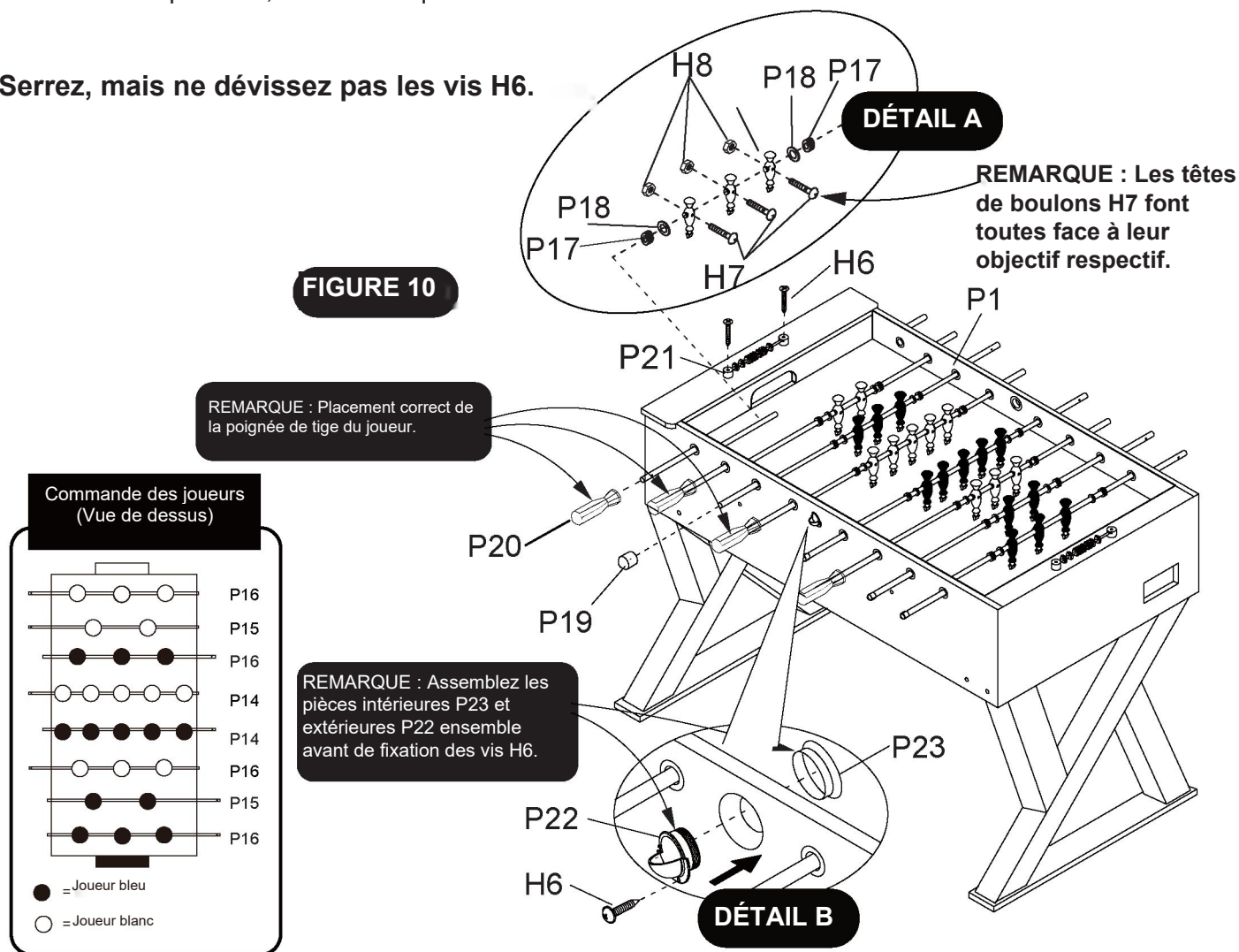
ÉTAPE 6

Faites glisser la tige à 5 trous **P14**, la tige à 2 trous **P15** et la tige à 3 trous **P16** dans la douille de tige du tablier latéral **P1**, le butoir de tige **P17**, la rondelle de tige **P18**, le joueur bleu **P12** ou le joueur blanc **P13**, la rondelle de tige **P18**, le pare-chocs de tige **P17** et le tablier latéral **P1**, comme illustré à la **FIGURE 10, détail A**. Fixez les joueurs bleus **P12** et les joueurs blancs **P13** sur les tiges à l'aide des boulons à tête ronde **H7** et des contre-écrous **M4 H8** comme indiqué sur la **FIGURE 10, DÉTAIL A**.

Fixez la coupelle d'entrée de balle extérieure **P22** et la coupelle d'entrée de balle intérieure **P23** sur les tabliers latéraux **P1** à l'aide de trous pilotes et de vis cruciforme à tête ronde **H6**, comme indiqué sur la **FIGURE 10, DÉTAIL B**.

Fixez les marqueurs manuels **P21** au sommet des tabliers d'extrémité **P2** à l'aide de trous pilotes et de vis cruciforme à tête plate **H6**, comme indiqué sur la **FIGURE 10**.

Serrez, mais ne dévissez pas les vis H6.



REMARQUE : Installez les joueurs sur les tiges de joueurs exactement comme indiqué sur ce schéma pour un jeu de football correct.

Toutes nos félicitations! Vous avez maintenant monté votre table de baby-foot. Veuillez respecter les instructions d'entretien et d'utilisation ci-dessous pour garantir de nombreuses années d'utilisation sans problème de votre table de baby-foot.

ENTRETIEN ET UTILISATION DE VOTRE BABY-FOOT KIRKWOOD 55 PO

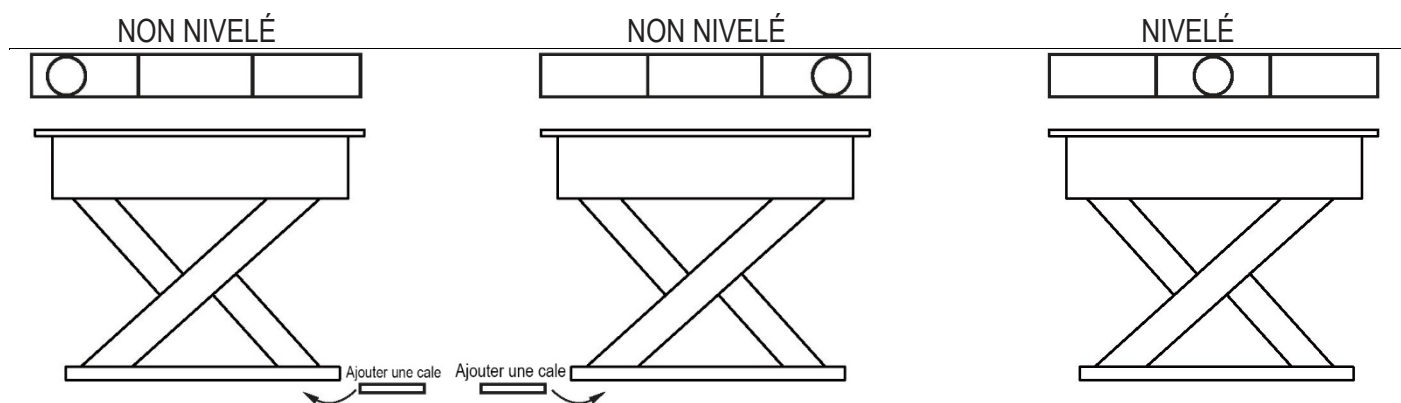
1. Appliquez quelques gouttes de lubrifiant (non fourni) sur les tiges et les douilles.
Tourner tiges pour s'assurer que vous propagé lubrifiant uniformément.
2. Utilisez un produit d'entretien pour meubles en spray pour nettoyer toutes les surfaces extérieures de votre baby-foot et le terrain de jeu.
3. Utilisez un niveau de menuisier pour mettre correctement la table à niveau à l'aide des cales de mise à niveau de table A3.
4. Ce produit est destiné à un usage INTÉRIEUR uniquement.
5. **NE PAS** s'asseoir, grimper ou s'appuyer sur la table.
6. **NE PAS** faites glisser le tableau lorsque vous le déplacez. Cela endommagera les pieds.
7. **NE PAS** mettre des boissons sur la table.
8. Couvrir la table lorsqu'elle n'est pas utilisée pour aider à prévenir poussière construire.

LISTE DES PIÈCES DU PRODUIT POUR LE NUMÉRO DE MODÈLE AL2010W/F

Numéro de clé	Numéro de pièce	Description	Qté.	Numéro de clé	Numéro de pièce	Description	Qté.
H1	AL2010SYH1	Boulon à tête hexagonale de 8 x 40 mm	22	P14	AL2010SYP13	Tige de joueur à 5 trous	2
H2	AL2010SYH2	Boulon à tête hexagonale de 8 x 130mm	10	P15	AL2010SYP14	Tige de joueur à 2 trous	2
H3	AL2010SYH3	Rondelle de blocage M8	32	P16	AL2010SYP15	Tige de joueur à 3 trous	4
H4	AL2010SYH4	Rondelle plate M8	32	P17	AL2010SYP16	Pare-chocs de tige de joueur	16
H5	AL2010SYH5	Vis cruciforme à tête ronde de 3,5 x 28 mm	24	P18	AL2010SYP17	Rondelle en plastique de la tige du joueur	16
H6	AL2010SYH6	Vis cruciforme à tête plate de 3,5 x 14 mm	6	P19	AL2010SYP18	Capuchon d'extrémité de tige de joueur	8
H7	AL2010SYH7	Boulon à tête ronde de 4 x 25 mm	26	P20	AL2010SYP19	Poignée de tige de joueur	8
H8	AL2010SYH8	Contre-écrou M4	26	P21	AL2010SYP20	Marqueur manuel	2
T1	AL2010SYT1	Clé à douille	1	P22	AL2010SYP21	Coupelle d'entrée de balle extérieure	2
P1	AL2010SYP1	Tablier latéral	2	P23	AL2010SYP22	Coupelle d'entrée de balle intérieure	2
P2	AL2010SYP2	Tablier d'extrémité	2	A1	AL2010SYA1	Boule texturée	1
P3	AL2010SYP3	Terrain de jeu	1	A2	AL2010SYA2	Ballon de football	1
P4	AL2010SYP4	Base de pied	2	A3	AL2010SYA3	Cale de mise à niveau de table	4
P5	AL2010SYP5	Pied central gauche	1	K1	AL2010SYK1	Trousse matérielle	1
P6	AL2010SYP5	Pied central droit	1	M1	AL2010SYM1	Guide d'utilisation	1
P7	AL2010SYP6	Pied supérieur	2				
P8	AL2010SYP7	Pied inférieur	2				
P9	AL2010SYP8	Support de terrain de jeu	3				
P10	AL2010SYP9	Drapeau de coin	2				
P11	AL2010SYP10	Tige de support en métal	1				
P12	AL2010SYP11	Joueur bleu	13				
P13	AL2010SYP12	Joueur blanc	13				

INSTRUCTIONS POUR NIVELER UNE TABLE DE JEU

- Montez la table de jeu selon les instructions.
- N'importe quel type de niveau serait suffisant pour effectuer cette procédure. Cependant, un niveau de deux pieds est recommandé.
- Avant de niveler, assurez-vous que le niveau est placé sur la surface de jeu si possible, et non sur les rails.
- Nivelez les extrémités : Placez le niveau sur la surface de jeu et ajustez la hauteur en plaçant des cales (A3) sous le pied opposé à celui que la bulle du niveau favorise jusqu'à ce que la bulle repose au milieu du niveau.



- Répétez l'étape ci-dessus à l'extrémité opposée de la table de jeu.
- Ensuite, nivelez la longueur de la table. Placez le niveau à côté du côté de la table et ajustez la hauteur pour positionner la bulle au milieu du niveau, en utilisant les cales sous le pied opposé à celui que favorise la bulle du niveau.
- Répétez l'étape ci-dessus à la longueur opposée de la table.
- Vérifiez à nouveau les deux extrémités courtes pour assurer bulle est au milieu du niveau.
- En fonction de la surface sur laquelle repose la table de jeu, en particulier la charpente à poils profonds, la table de jeu doit se stabiliser pendant 24 heures. Vérifiez à nouveau le niveau sur

Toutes nos félicitations!

Nous espérons que vous apprécierez de nombreuses heures de compétition et de plaisir avec votre nouveau baby-foot!

Veillez lire attentivement toutes les consignes de sécurité, toutes les instructions de montage et toutes les suggestions d'entretien et de maintenance avant de continuer.

- 1) La table de baby-foot est lourde. Deux personnes ou plus sont nécessaires pour le montage, le retournement de la table à l'endroit pendant le montage et la mise en place de la table à son emplacement final.
- 2) Cette table de baby-foot ne doit être utilisée que pour l'usage auquel elle est destinée.
- 3) Ce baby – foot est conçu et destiné à un usage intérieur uniquement dans un climat contrôlé environnement. Les dommages à la table peuvent se produire s'il est exposé à l'eau, à l'humidité , à un taux d'humidité élevé, à des températures glaciales, etc.
- 4) Les pièces endommagées ou usées peuvent être dangereuses pour les joueurs ainsi que pour l'intégrité du baby-foot. Remplacez immédiatement les pièces endommagées ou usées et n'utilisez pas le produit tant que ces problèmes n'ont pas été résolus. Veuillez appeler le numéro du service à la clientèle figurant sur la première page du manuel d'assemblage du propriétaire pour toute question relative aux pièces et pour toute assistance nécessaire pour ce produit.
- 5) Les réparations non autorisées ou la modification de la conception ou des fonctions des tables peuvent être dangereuses et annuleront la garantie.
- 6) Vérifiez régulièrement toutes les vis, tous les boulons, etc., pour vous assurer que le baby-foot est en bon état de marche et que rien ne s'est desserré avec le temps.
- 7) Veuillez garder les ballons de football, le lubrifiant de la tige du joueur et toute autre petite pièce hors de portée des enfants et des animaux domestiques.
- 8) Ce produit n'est pas un jouet. La surveillance d'un adulte est recommandée lorsque le produit est utilisé par des enfants.
- 9) Faites toujours attention lorsque vous poussez ou tirez les tiges afin de ne pas blesser ou endommager des personnes

GARANTIE LIMITÉE DE 90 JOURS

La présente garantie consommateur est accordée au consommateur initial, lors de l'achat de tout produit ESCALADESPORTS (ci-après dénommé le « Produit »).

DURÉE DE LA GARANTIE : Ce Produit est garanti au consommateur initial, pour une période de 90 jours à compter de l'achat initial.

COUVERTURE DE LA GARANTIE : ESCALADE SPORTS garantit à l'acheteur consommateur initial que tout produit de sa fabrication est exempt de tout défaut de matériau et de fabrication lorsqu'il est utilisé aux fins prévues dans des conditions normales d'utilisation. LA PRÉSENTE GARANTIE EST NULLE ET NON AVENUE SI LE PRODUIT A ÉTÉ ENDOMMAGÉ PAR UN ACCIDENT, UNE UTILISATION DÉRAISONNABLE, UNE NÉGLIGENCE, UN SERVICE INADÉQUAT, LE NON-RESPECT DES INSTRUCTIONS FOURNIES AVEC LE PRODUIT OU D'AUTRES CAUSES NE RÉSULTANT PAS DE DÉFAUTS DE MATÉRIAUX ET DE FABRICATION.

EXÉCUTION DE LA GARANTIE : Pendant la période de garantie de 90 jours mentionnée ci-dessus, ESCALADESPORTS s'engage à réparer ou à remplacer par un modèle comparable tout Produit ou composant de celui-ci qui s'avérerait défectueux dans des conditions normales d'utilisation et d'entretien, et dont l'examen révélerait à notre satisfaction qu'il est ainsi défectueux, veuillez contacter notre service de garantie.

1--888-996-2729/Service de garantie

Ou écrivez-nous à :

Escalade® Sports, Inc – CP 889, Evansville, IN 47706

À l'attention du : Service de garantie

Ou envoyez-nous un courriel à l'adresse suivante :

gamerom@escaladesports.com

En dehors des frais d'expédition, aucun frais ne sera facturé pour la réparation ou le remplacement des produits sous garantie. ESCALADE SPORTS recommande vivement que le produit soit assuré pour sa valeur avant d'être envoyé.

EXCLUSION DE GARANTIE : TOUTES LES GARANTIES IMPLICITES DÉCOULANT DE CETTE VENTE, Y COMPRIS, MAIS SANS S'Y LIMITER, LES GARANTIES IMPLICITES DE QUALITÉ MARCHANDE ET D'ADÉQUATION À UN USAGE PARTICULIER, SONT LIMITÉES DANS LEUR DURÉE À LA PÉRIODE DE 90 JOURS CI-DESSUS. ESCALADE SPORTS DÉCLINE TOUTE RESPONSABILITÉ EN CAS DE PERTE DE JOUISSANCE DU PRODUIT OU D'AUTRES COÛTS, DÉPENSES OU DOMMAGES CONSÉCUTIFS OU ACCIDENTELS ENCOURUS PAR LE CONSOMMATEUR EN CAS DE TOUT AUTRE USAGE.

Certains États n'autorisant pas l'exclusion ou la limitation des garanties implicites ou des dommages indirects ou accessoires, les limitations ou exclusions ci-dessus peuvent ne pas s'appliquer à votre cas.

RECOURS JURIDIQUES : La présente garantie vous confère des droits légaux spécifiques et vous pouvez également avoir d'autres droits qui peuvent varier d'un État à l'autre.